



# MBST – MULTI-LAYER BACKWASHING FILTER

## SERIES OVERVIEW

LX15 and LX2 electronic backwashing filters bring advanced technology and enhanced performance to commercial water treatment. The LX15 and LX2 units reduce unwanted sediment from the water supply. The LX15 and LX2 Series features a state-of-the-art 1.5" and 2" control valve and high-performance corrosion-resistant mineral tank. They are outfitted with a solid-state microprocessor control and LCD display to simplify system operation and setup.

## FEATURES & BENEFITS

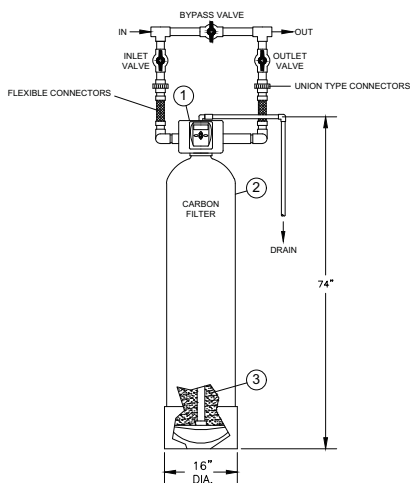
- 1.5" or 2.0" female NPT inlet/outlet top-mount control valves
- Optional 2.0" NPT control valve with Quick Connect base available for top and side-mount tank connections
- Lead-free brass valve bodies (1.5" & 2.0") utilize an NSF/FDA approved black epoxy electro-deposited coating for exceptional corrosion protection
- Optional stainless steel meter housing (1.5" & 2.0")
- 1.5" NPT meter providing  $\pm 5\%$  accuracy across 0.5 to 75 gpm service flow range
- 2.0" NPT meter providing  $\pm 5\%$  accuracy across 1.5 to 150 gpm service flow range
- Composite mineral tanks using bottom Vortech™ distribution (14" & 16" diameter) or hub & lateral distributors
- Easy-access front panel settings
- Display and keypad backlight illumination
- Color-specific display illumination: Solid blue - in service; solid green - in regeneration; flashing yellow - maintenance; flashing red - error
- LCD dot matrix display containing more dots for better display effect
- Water drop flow indicator
- Scrolling text display for longer lengths of information
- Contractor name and phone number display
- User display choices during normal service: time of day, current treated water flow rate GPM, remaining capacity gallons, number of days to regeneration, contractor contact information
- Fully programmable regeneration cycle sequence (maximum 9)
- Stores system configuration and operation data in a non-volatile memory-will not be lost during a power outage
- Time-of-day battery backup with up to 8 hours of power carry-over
- Screen displays "low battery" when battery needs replaced
- Variable reserve automatically adjusts to changing water usage patterns
- Double regeneration option
- Multiple regenerations per day option
- Service technician "step-thru" regeneration
- Complete diagnostic information and valve history data stored in memory
- Two relay driver outputs
- 12-volt DC battery operation available



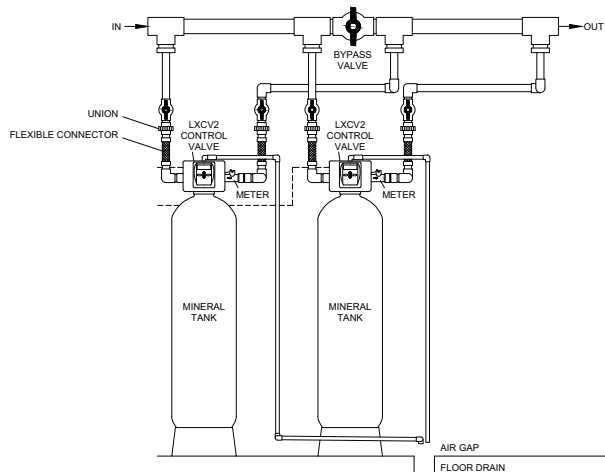


# MBST - MULTI-LAYER BACKWASHING FILTER

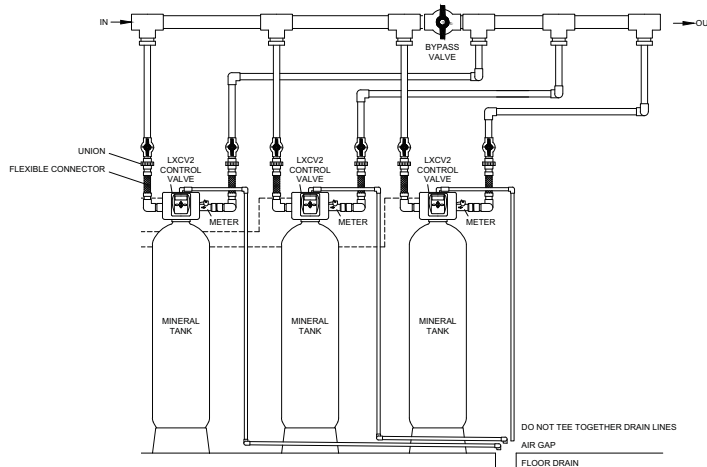
## MBST-4-MODEL



## PLX2-MODEL



## 3PLX2-MODEL



MODEL	SERVICE FLOW @ 10GPM/ SQFT	MAX FLOW @ 20GPM/ SQFT	BACKWASH RATE	H	W	D	Weight in LBS	Delta P at Service at Max Flow	Pipe Size	Tank Dimension
7-LET-MBST-1B	5 GPM	10 GPM	5.3 GPM	52"	10"	10"	120		1"	10" X 44"
7-LET-MBST-2B	9 GPM	18 GPM	9 GPM	56"	13"	13"	180		1"	13" X 48"
7-LX125F-MBST-3B	11 GPM	21 GPM	10 GPM	73"	14"	14"	240	14 PSID	1.25"	14" X 65"
7-LX15F-MBST-3	11 GPM	21 GPM	10 GPM	73"	14"	14"	255	9 PSID	1.5"	14" X 65"
7-LX15F-MBST-4	14 GPM	28 GPM	15 GPM	73"	16"	16"	305	14 PSID	1.5"	16" X 65"
7-LX2F-MBST-4	14 GPM	28 GPM	15 GPM	74"	16"	16"	360	10 PSID	2"	16" X 65"
7-LX2F-MBST-7	24 GPM	48 GPM	25 GPM	71"	21"	21"	535	5 PSID	2"	21" X 62"